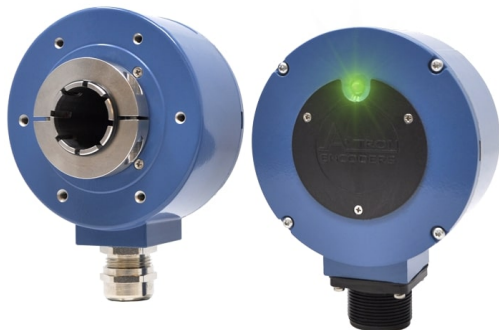


Avtron HS35X Encoder



**Mill Duty - Magnetic - Hollow Shaft
Encoder: 1/2"-1" [12mm-25mm]**

Magnetic Durability in a Compact Encoder

Fits Shafts 1/2" to 1" [12mm-25mm]

Up to IP66

Up to 10,000 PPR

Replaces Competitive Models
Without Rewiring

-40°C to +100°C Operation

2 Year No-Hassle Warranty

Full Protection from Miswiring

Onboard Diagnostics with LED

Drives up to 1000 feet [330m] cable

HS35X

Finally--the breakthrough you have been waiting for--a HS35 magnetic encoder, high IP rating AND a super-competitive price! The HS35X is drop-in compatible with all competitive HS35 size encoders, making replacements a breeze!

HS35X encoders fit shafts from 1/2" to 1" [12mm-25mm] easily, using a durable shaft insert*. Units may be resized by replacing or removing the insert, enabling our factory, distributors, and customer stockrooms to swiftly meet any need. The shaft insert and isolated bearings also provide isolation from motor shaft currents.

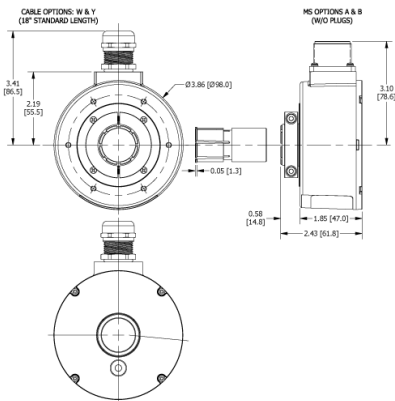
Optical encoders suffer so many failures--broken glass disks, misaligned masks, vibration problems, condensing liquids that confuse the optics...the list never ends! Our magnetic technology is fully protected against dust, dirt, liquids and condensation. Our Wide-Gap electronics prevent rotor-sensor crashes too!

Who needs 6 different connector types on their machinery! Use the HS35X universal cable adapter system to use the same connector on every encoder!

Wondering if your encoder is working right? The HS35X has full diagnostics, informing you of signal quality, and ensuring there are no shorts in the wiring to or from the encoder.

Step up to the HS35X without paying more than your current price for a weak optical encoder!

OUTLINE DRAWING



MORE HS35X ADVANTAGES

- All digital, fully integrated design
- No extra charge for signal complements and marker pulse (A,A/,B,B/,Z,Z/)
- Insulated from motor shaft currents
- Models can be resized by interchanging inserts
- Optional basket guard adds even more protection
- Shaft ring retains clamping collar during installation
- Wide-Gap Technology: Up to 10X larger gap between sensor and rotor
- Fits End of Shaft and Through Shaft Applications

MORE HS35X SPECIFICATIONS

Operating Power: Volts: 6-30 VDC; Current: 80mA, no load; 5V option available.

Output Format: A Quad B with gated marker (A,/A, B,/B, Z,/Z)

Frequency Range: 0 to 250 kHz @ 6V & 1m cable

PPR: 4 - 10000 standard* (for other PPR needs, consult factory)

Speed: 6000 RPM Max., (for higher speeds, consult factory)

Temperature: -40° to 100°C**

Environmental: Up to IP66

Shaft Current Isolation: 2500VRMS

Vibration: 10-2000Hz, 17Gs

Shock: 275G, 6mS duration

Axial Bearing Load: 500 N

Radial Bearing Load: 1200 N

Weight: 2.5 lbs. [635 g] approx.

Certifications: CE, UL Fire & Safety

All dimensions are in inches [millimeters]

Specifications and features are subject to change without notice.

*Requires special ordering code

** Derating for higher speeds may apply

Check out our website for more detailed specifications, drawings, and installation instructions. www.avtronencoders.com



Nidec Industrial Solutions
243 Tuxedo Avenue - Cleveland, Ohio 44131
encoderhelpdesk@nidec-industrial.com
+1 216-642-1230 - www.avtronencoders.com



Features and specifications are subject to change without notice. EU-SMART™, SMARTSafe™, SMARTTach™, THIN-LINE™, WIDE-GAP™, SAFETach™, and BULLSEYE32™ are trademarks of Nidec Industrial Solution. All other trademarks and registered trademarks are the property of their respective owners. Nidec Industrial Solutions' standard warranty applies. All dimensions approximate.

SELECTION GUIDE

<input type="checkbox"/>	<input type="checkbox"/>	<input type="checkbox"/>	<input type="checkbox"/>	<input type="checkbox"/>	<input type="checkbox"/>	<input type="checkbox"/>	<input type="checkbox"/>	<input type="checkbox"/>	<input type="checkbox"/>
MODEL	PPR	LINE DRIVER	HOLLOW SHAFT BORE SIZE	CONNECTOR OPTIONS	MOUNTING	PROTECTION	ANTI-ROTATIONAL TETHER	CHANNELS	MODIFICATIONS
HS35X	G - 100 PPR K - 200 PPR L - 240 PPR M - 250 PPR E - 360 PPR Q - 500 PPR S - 600 PPR V - 900 PPR W - 1000 PPR Y - 1024 PPR Z - 1200 PPR 3 - 2000 PPR 4 - 2048 PPR 5 - 2500 PPR 8 - 4800 PPR D - 4096 PPR 9 - 5000 PPR 2 - 8192 PPR 1 - 10000 PPR 0 - Special PPR (Select 4xx option code for PPR)	1 - 6-30V In/Out (Hx) 2 - 6-30V In/5V Out (Hx) 3 - 5V In/5V Out (Hx)	B - 1/2 in. bore via insert C - 5/8 in. bore via insert D - 3/4 in. bore via insert E - 7/8 in. bore via insert F - 1 in. native bore U - 1/2 in. thru 7/8 in. bore (Universal USA) N - 11mm via insert P - 12mm via insert Q - 14mm via insert R - 15mm via insert S - 16mm via insert V - 19mm via insert W - 20mm via insert Y - 25mm native bore Z - 12mm thru 20mm bore (Universal metric)	A - 10 pin MS style w/o Plug, Avtron/BEI Pinout B - 10 pin MS style w/o Plug, Dynapar HS35 pinout C - 10 pin MS style w/ Plug, Avtron/BEI pinout D - 10 pin MS style w/ Plug, Dynapar HS35 pinout T - M12 Turck Pinout w/o plug U - M12 US Pinout w/o Plug V - M12 US Pinout w/ Plug Z - M12 Turck Pinout w/ Plug (Reverse Phasing) W - Cable (18 in. or special length) Y - 18 inch Sealed Cable with Flying Leads, BEI Color Code	U - Universal (Thru & End of Shaft)	0 - None 1 - Basket	X - No Tether A - 1/4 in.-20 T-Bolt Fan Cover Tether B - 5/16 in.-18 T-Bolt Fan Cover Tether C - 3/8 in.-16 T-Bolt Fan Cover Tether D - All T-bolt Fan Cover Tethers E - 4.5 in. C-Face Tether F - 8.5 in. C-Face Tether M - Fan Cover & 4.5" C-Face Mount N - Marker-pulse-orienting Tether R - Pin & Block, BEI compatible U - A-F All Tethers	A - All Channels (A, /A, B, /B, Z, /Z)	000 - No Special Features CEE - Add 18" adapter 10 pin MS to 6 pin MS, Single Ended, (A, B, Z only) CEB - Add 18" adapter 10 pin MS to 6 pin, Differential, No Marker Pulse (A, A/, B, B/ Only) CJE - Add 18" adapter 10 pin MS to 7 pin MS, Single Ended, (A, B, Z only) CJB - Add 18" adapter 10 pin MS to 7 pin MS, Differential, No Marker Pulse (A, A/, B, B/ only) CRA - Add 18" adapter 10 pin MS to 10 pin Mini Twist Lock, All Channels (A, A/, B, B/, Z, Z/) CSE - Add 18" adapter 10 pin MS to 5 pin M12, Single Ended, (A, B, Z only) CTA - Add 18" adapter 10 pin MS to 8 pin M12, All Channels (A, A/, B, B/, Z, Z/) C2A - Add 18" adapter 10 pin MS to 12 pin M23, All Channels (A, A/, B, B/, Z, Z/) CUA - Add 18" adapter 10 pin MS to 8 pin M12, All Channels (A, A/, B, B/, Z, Z/) CWA - Add Mating 10 pin MS connector with 18" (0.5m) flying leads all signals (A,A/,B,B/,Z,Z/) 406 - 6000 (Special) Output PPR 901 - 1 ft./0.3m Cable Built into Encoder 902 - 2 ft./0.6m Cable Built into Encoder 903 - 3 ft./0.9m Cable Built into Encoder 904 - 4 ft./1.2m Cable Built into Encoder 905 - 5 ft./1.5m Cable Built into Encoder 910 - 10 ft./3m Cable Built into Encoder 915 - 15 ft./4.5m Cable Built into Encoder 920 - 20 ft./6m Cable Built into Encoder 925 - 25 ft./7.5m Cable Built into Encoder 930 - 30 ft./9m Cable Built into Encoder 933 - 33 ft./10m Cable Built into Encoder 090 - Sealed Cover, adds IP66 rating 098 - Tether Bracket with threaded rod anti-rotation arm 108 - 10ft cable + 200mm Anti rotation arm 110 - Shaft Adapter and Tether 111 - Special OEM Label T20 - 200 mm Anti-Rotation Arm Length (adjustable to 192-210mm)



Nidec Industrial Solutions
243 Tuxedo Avenue - Cleveland, Ohio 44131
encoderhelpdesk@nidec-industrial.com
+1 216-642-1230 - www.avtronencoders.com



Features and specifications are subject to change without notice. EU-SMART™, SMARTSafe™, SMARTTach™, THIN-LINE™, WIDE-GAP™, SAFETach™, and BULLSEYE32™ are trademarks of Nidec Industrial Solution. All other trademarks and registered trademarks are the property of their respective owners. Nidec Industrial Solutions' standard warranty applies. All dimensions approximate.